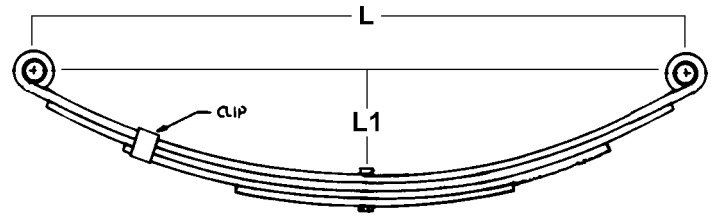
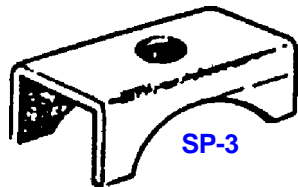
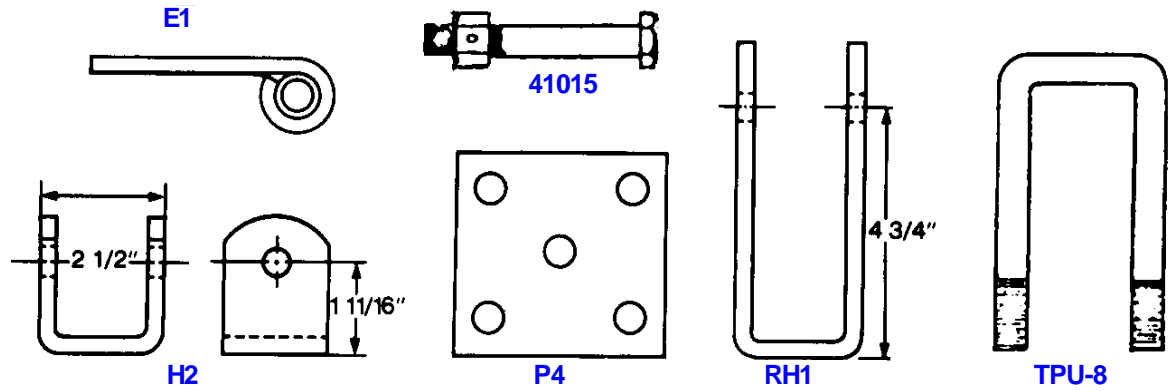


Double Eye Springs

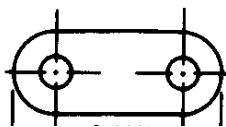


DOUBLE EYE SPRINGS							
SPRING NO.	NO. OF LEAVES	CAPACITY PER PAIR	LEAF THICKNESS	SPRING LENGTH	SPRING WIDTH	L1	PRICE
4332-11	3	2250#	.360"	26"	1-3/4"	5-1/2"	\$38.21
4342-16	4	3000#	.360"	26"	1-3/4"	5-1/2"	53.79

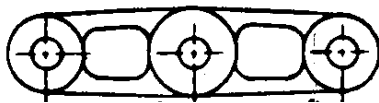
Spring & Suspension Parts



SP-3



4101-2C



EQR2



EQ1A

SPRING SUSPENSION PARTS		
DESCRIPTION	ITEM #	PRICE
2" x 5-3/4" x 9/16" U-Bolt for 2" Square Axles	TPU8	\$8.48
2" x 6-3/8" x 9/16" U-Bolt for 2" Square Axles	TPU9	7.25
2" x 7-1/4" x 9/16" U-Bolt for 2" Square Axles	TPU10	5.67
2" x 4-3/4" x 9/16" U- Bolt for 2" Square Axles	TPU16	6.03
2-1/2" x 6" x 1/2" U- Bolt for 2-1/2" Round Tube Axles	U238R	6.68
3" x 6" x 1/2" U- Bolt for 3" Round Tube Axles	U300R	9.46
3" x 7-1/2" x 9/16" U-Bolt for 3" Round Tube Axles	U301R	7.51
Eye Plate with Nylon Bushing	E1	7.38
Shackle Link	4101-2C	.85
Cast Rocker Arm with Nylon Bushings	EQ1A	9.13
Cast Rocker Arm with Nylon Bushings	EQR2	12.25
End Hanger for Single or Tandem Kits	H2	3.70
Center Hanger Arm with Nylon Bushing	RH1	10.38
Shackle Bolt 9/16"-18 x 3"	41015	1.14
2" x 1-3/4" 5 Hole Axle Plate	4203-3	2.77
2-3/8" x 1-3/4" Plate for 2-1/2" Round Axles	4202-3	2.77
3" x 2" Plate for 3" Round Axles	4201-3	3.81
9/16" Nut for U-Bolts	4203-2	.40
2-3/8" Round Tube x 1.75" - 2" Spring Pad	SP-2375	5.60
3" Round Tube x 1.75" - 2" Spring Pad	SP-3	5.30
2-1/2" x 1-3/4" 5 Hole Axle Plate	4290-3	12.98