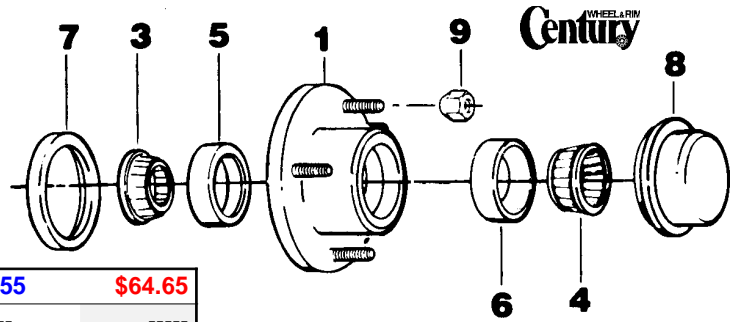


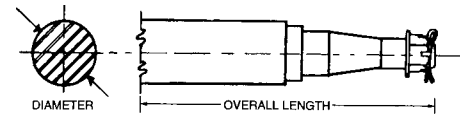
### Hub & Stud

Note: Order by group number to receive complete package for one assembly. Complete package consists of hubs, bearings, grease seals, dust caps & wheel bolts. Order by part numbers to receive replacement parts. All parts shipped loose except those marked by \*. These are installed at factory.



GROUP NO.	(1,3-9)	84545	\$36.40	82655	\$64.65
HUB NO.	(1)	----	----	----	----
WHEEL MOUNTING PATTERN	BOLTS	5		6	
	SPACING	4-1/2"		5-1/2"	
INNER BEARING	SIZE	1/2"-20		1/2"-20	
	BORE	1.3780"		1.7500"	
	CONE (3)	L-68149	\$3.68	25580	\$7.20
	CUP* (5)	----	----	----	----
OUTER BEARING	BORE	1.0625"		1.2500"	
	CONE* (4)	L-44649	\$3.35	15123	\$5.03
	CUP (6)	----	----	----	----
SEAL NO.	(7)	171255TB	\$1.00	22333TBN	\$1.29
DUST CAP NO.	(8)	21-3	\$1.06	21-1	\$1.85
WHEEL NUT NO.	(9)	4756	.23	4756	.23
CAP. LBS.		3,500		5,200	
SPINDLE SERIES		84		42	

### Round Stub Spindles



#### R20484-1.500M

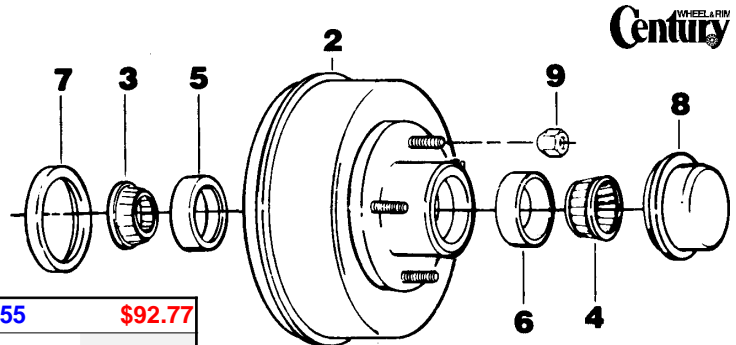
1-1/2" x 8-1/2" Long.  
Capacity 1,750 lbs.  
for all UHI series hubs **\$26.98**

#### R40642-M

2" x 11-1/4" Long  
Capacity 3,000 lbs.  
for 13HRM series hubs **\$52.23**

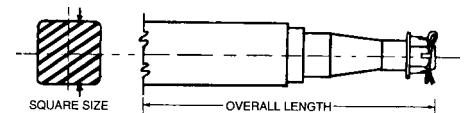
### Hub & Drum

Note: Order by group number to receive complete package for one assembly. Complete package consists of hub & drum, bearings, grease seals, dust caps & wheel bolts. Order by part numbers to receive replacement parts. All parts shipped loose except those marked by \*. These are installed at factory. Hub & drums are integral unicast complete with armature plate.



GROUP NO.	(1,3-9)	94545	\$60.82	92655	\$92.77
HUB NO.	(1)	----	----	----	----
WHEEL MOUNTING PATTERN	BOLTS	5		6	
	SPACING	4-1/2"		5-1/2"	
INNER BEARING	SIZE	1/2"-20		1/2"-20	
	BORE	1.3780"		1.7500"	
	CONE (3)	L-68149	\$3.68	25580	\$7.20
	CUP* (5)	----	----	----	----
OUTER BEARING	BORE	1.0625"		1.2500"	
	CONE* (4)	L-44649	\$3.35	15123	\$5.03
	CUP (6)	----	----	----	----
SEAL NO.	(7)	171255TB	\$1.00	22333TBN	\$1.29
DUST CAP NO.	(8)	21-3	\$1.06	21-1	\$1.85
WHEEL NUT NO.	(9)	4756	.23	4756	.23
CAP. LBS.		3,500		5,200	
SPINDLE SERIES		84		42	

### Square Stub Spindles



#### SP20484-M

1-1/2" x 1-1/2" x 8-5/8" Long  
Capacity 1,750 lbs.  
for all UHI series hubs **\$30.06**

#### SP50642-M

2" x 2" x 11-1/4" Long  
Capacity 3,000 lbs.  
for 13HRM series hubs **\$55.33**

Gray boxes are non-stocked items, short delivery time.

9

## KH METALS AND SUPPLY

2727 Main St. Riverside, CA 92501  
Phone 951-683-3787 Toll Free 800-323-0829 Fax 951-684-6150 Web khmetals.com

9

All Prices Subject To Change Without Notice.

4-1-2017