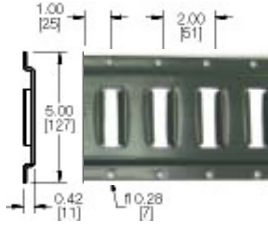


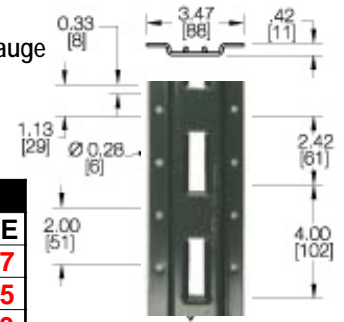
Series E Track Horizontal
 Material: High strength steel; 12 gauge
 Minimum Yield: 50,000 psi.
 Finish: Gray, Powder Coat
 Length: 10 ft.

Series E Track Horizontal		
LENGTH	PART NO.	PRICE
2 FT	43002-KPC2	\$7.33
3 FT	43002-KPC3	10.50
4 FT	43002-KPC4	13.67
6 FT	43002-KPC6	20.00
10 FT	43002-K	30.16



Series E Track Vertical
 Material: High strength steel; 11 gauge
 Minimum Yield: 50,000 psi.
 Finish: Gray, Powder Coat
 Length: 10 ft.

Series E Track Vertical		
LENGTH	PART NO.	PRICE
2 FT	2019-KPC2	\$7.17
3 FT	2019-KPC3	10.25
4 FT	2019-KPC4	13.33
6 FT	2019-KPC6	19.50
10 FT	2019-K	29.36

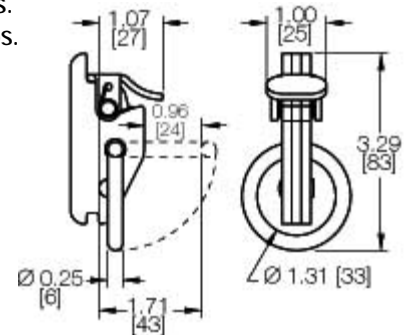


Series E or A Rope Tie-Off
 Series E or A Rope Tie-Off with
 2" 4900G Webbing and 1027 D-Ring
 Fitting: FE8306-1
 Breaking Strength: 3,000 lbs.
 Working Load Limit: 1,000 lbs.
 Length: 6"



[660001-K](#)
\$5.24

Series E or A Fitting with 1" Ring
 Series E or A Fitting with 1" Round Ring
 Breaking Strength*: 6,000 lbs.
 Working Load Limit: 2,000 lbs.
 *Based on a 45°
 pull away from keeper.



[FE8264-1-K](#)
\$5.34

Auto Tie-Down
 Secure autos in vehicles with floor mounted series E or A logistic
 track. Cluster hook allows attachment to tie-down holes on most
 auto frames. Now with heavy duty fitting
 Breaking Strength: 6,000 lbs.
 Working Load Limit: 2,000 lbs.



[15360-K](#)
\$44.74

16' Series E or A Logistic Strap
 2" Logistic Strap with 811 Ratchet Buckle and 4900 Webbing
 16' Series E or A Strap with FE8306-1 Spring Fittings
 Assembly Breaking Strength: 3,000 lbs.
 Working Load Limit: 1,000 lbs.



[641601-K](#)
\$10.10

Steel Tube with Pivoting Foot
 Kinedyne's Saf-T-Lok bars are designed for economy and ease of
 operation. These bars are offered in high strength steel tubing.
 Features include a steel rack, a heavy-duty steel handle and a
 painted cast aluminum housing. Molded pivoting rubber feet grip
 firmly to trailer walls, yet won't scuff and will remain pliable even
 at low temperatures. The handle and trigger release are easy to
 operate, even with gloved hands.



[10085-K](#)
\$30.08

Adjusts from: 90" to 105"

Receiver Locks

- Hardened receiver pins for increased sheer strength
- Precision 4-pin tumbler mechanism resists picking
- Key retaining for increased safety
- K1 key blank for all receiver locks



SHACKLE DIAMETER	SHACKLE LENGTH	ITEM #	PRICE
1/2"	2-1/2"	1472DAT	\$17.24
5/8"	2-1/2"	1479DAT	17.24