

### Beam Clamp

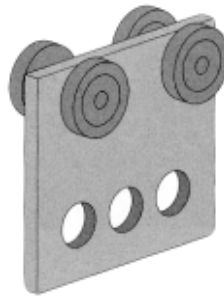
3/8-16" Rod Size  
2" Max Pipe  
400 lbs. Max Load



**BP38**  
**\$4.86**

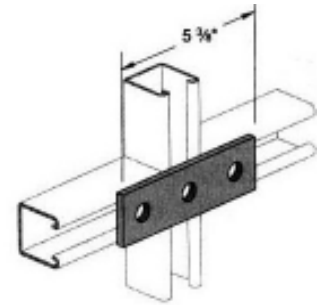
### Four-Wheel Trolley

9/16" Holes  
3-1/2" Length  
3-1/4" Height  
600 lbs. Max Load



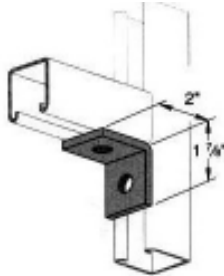
**PS-2522**  
**\$61.67**

### Three-Hole Splice Plate



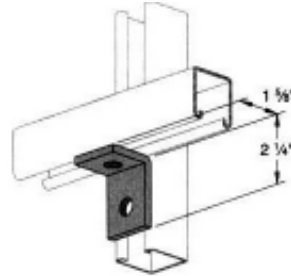
**PS-602**  
**\$4.71**

### Two-Hole End Angle



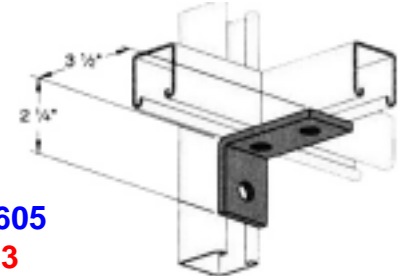
**PS-603**  
**\$2.89**

### Two-Hole Corner Angle



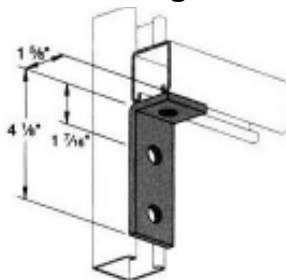
**PS-604**  
**\$3.08**

### Three-Hole Corner Angle



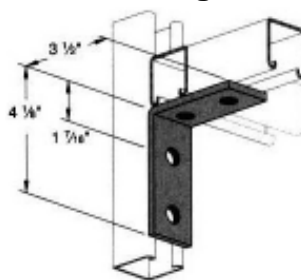
**PS-605**  
**\$4.23**

### Three-Hole Corner Angle



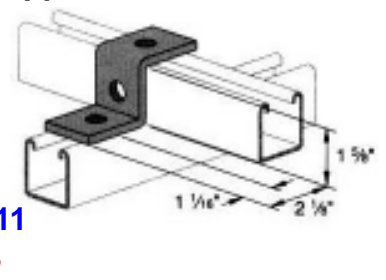
**PS-606**  
**\$4.23**

### Four-Hole Corner Angle



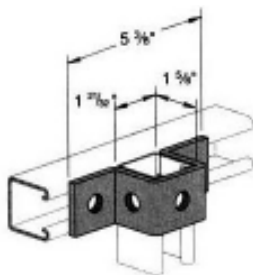
**PS-607**  
**\$5.67**

### Zee Support



**PS-611**  
**\$5.83**

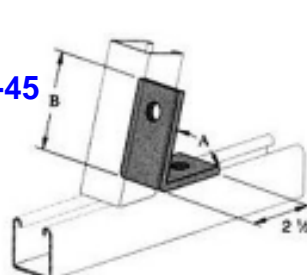
### "U" Support



**PS-613**  
**\$7.06**

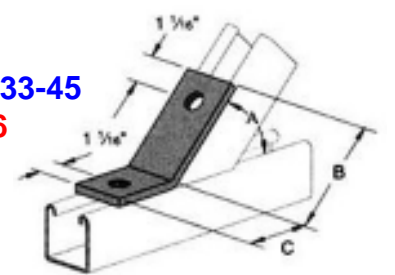
### Two-Hole Closed Angle 45°

**PS-624-45**  
**\$6.96**

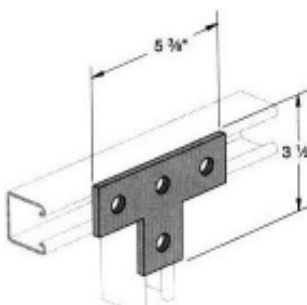


### Two-Hole Open Angle 45°

**PS-633-45**  
**\$8.26**



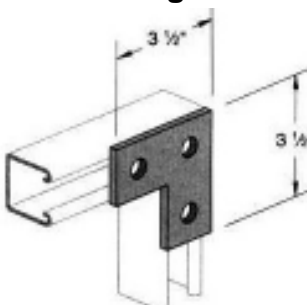
### Tee Plate



**PS-714**  
**\$13.76**

### Three-Hole Flat Angle Plate

**PS-718**  
**\$9.26**



### Four-Hole Flat Angle Plate

**PS-719**  
**\$17.27**

