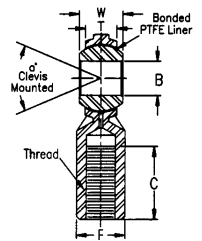
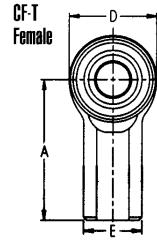
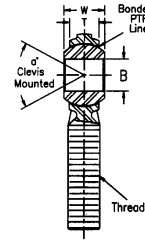
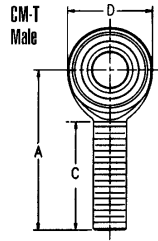


COMMERCIAL GRADE ROD ENDS  
 QA1 offers a complete line of both S.A.E. inch and metric series rod ends. QA1 commercial grade rod ends are manufactured in a two-piece design, with the outer housing swaged around a precision-ground spherical ball to provide maximum load capacity. Outer housings are machined from medium to high strength carbon steel (1215 carbon minimum).



- BALL**
- 52100 Bearing Steel
  - Heat Treated
  - Hard Chrome Plated
  - Precision Ground

- BODY**
- Carbon Steel
  - Protective Coated for Corrosion Resistance
  - PTFE Lined (part # ending in "T")

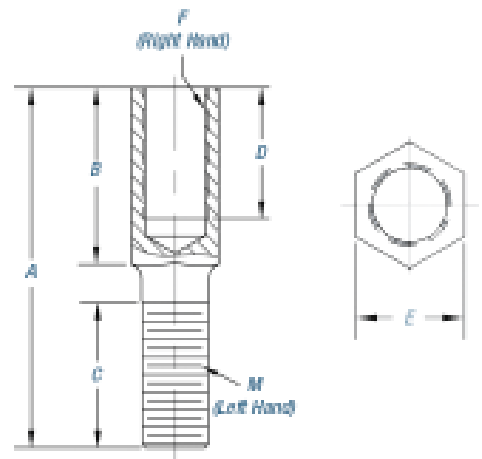
THREAD UNF-3A	TYPE	"A"	"B"	"C"	"D"	ITEM # LEFT HAND	ITEM # RIGHT HAND	PRICE
10-32	Male	1.250	.1900	0.750	0.625	<b>CML3</b>	<b>CMR3</b>	<b>\$7.31</b>
1/4-28	Male	1.562	.2500	1.000	0.750	<b>CML4</b>	<b>CMR4</b>	<b>7.61</b>
5/16-24	Male	1.875	.3125	1.250	0.875	<b>CML5T</b>	<b>CMR5T</b>	<b>8.48</b>
3/8-24	Male	1.938	.3750	1.250	1.000	<b>CML6T</b>	<b>CMR6T</b>	<b>8.78</b>
7/16-20	Male	2.125	.4375	1.375	1.125	<b>CML7T</b>	<b>CMR7T</b>	<b>9.95</b>
1/2-20	Male	2.438	.5000	1.500	1.312	<b>CML8T</b>	<b>CMR8T</b>	<b>11.07</b>
5/8-18	Male	2.625	.6250	1.625	1.500	<b>CML10T</b>	<b>CMR10T</b>	<b>15.68</b>
3/4-16	Male	2.875	.7500	1.750	1.750	<b>CML12T</b>	<b>CMR12T</b>	<b>19.30</b>

THREAD UNF-2B	TYPE	"A"	"B"	"C"	"D"	ITEM # LEFT HAND	ITEM # RIGHT HAND	PRICE
10-32	Female	1.250	.1900	0.750	0.625	<b>CFL3</b>	<b>CFR3</b>	<b>\$7.31</b>
1/4-28	Female	1.562	.2500	1.000	0.750	<b>CFL4</b>	<b>CFR4</b>	<b>7.61</b>
5/16-24	Female	1.875	.3125	1.250	0.875	<b>CFL5T</b>	<b>CFR5T</b>	<b>8.48</b>
3/8-24	Female	1.938	.3750	1.250	1.000	<b>CFL6T</b>	<b>CFR6T</b>	<b>8.78</b>
7/16-20	Female	2.125	.4375	1.375	1.125	<b>CFL7T</b>	<b>CFR7T</b>	<b>9.95</b>
1/2-20	Female	2.438	.5000	1.500	1.312	<b>CFL8T</b>	<b>CFR8T</b>	<b>11.07</b>
5/8-18	Female	2.625	.6250	1.625	1.500	<b>CFL10T</b>	<b>CFR10T</b>	<b>15.68</b>
3/4-16	Female	2.875	.7500	1.750	1.750	<b>CML12T</b>	<b>CMR12T</b>	<b>19.30</b>

**Steel Linkage Adjusters**

- Chromoly Steel
- Heat Treated
- Zinc Plated & Yellow Dichromate



ALLOY STEEL LINKAGE ADJUSTERS								
MALE LH THREAD UNF-3A	FEMALE RH THREAD UNF-2B	"A" INCH	"B" INCH	"C" INCH	"D" INCH	"E" INCH	ITEM #	PRICE EACH
3/8"-24	3/8"-24	2.875	1.250	1.250	0.812	9/16	<b>AS6-6</b>	<b>\$4.90</b>
7/16"-20	7/16"-20	3.125	1.375	1.375	0.937	11/16	<b>AS7-7</b>	<b>\$6.23</b>
1/2"-20	1/2"-20	3.375	1.500	1.500	1.062	3/4	<b>AS8-8</b>	<b>\$7.45</b>
5/8"-18	5/8"-18	3.813	1.813	1.625	1.375	15/16	<b>AS10-10</b>	<b>\$9.85</b>
3/4"-16	3/4"-16	4.125	2.000	1.750	1.562	1-1/8	<b>AS12-12</b>	<b>\$12.85</b>