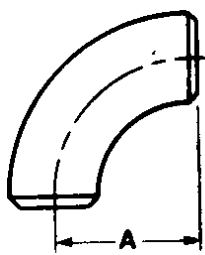
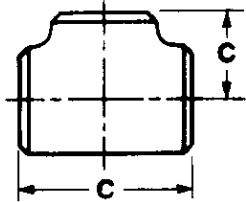
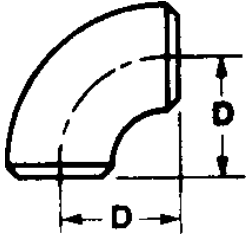
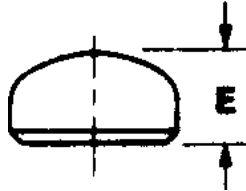


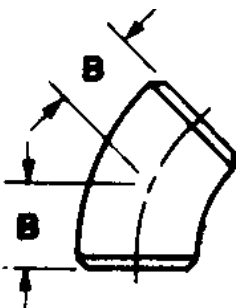
WELD-ON FITTINGS

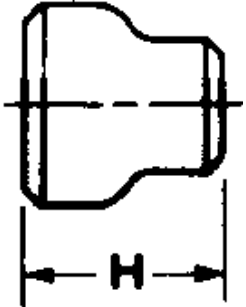
STYLE	SIZE	PRICE
 <p>LONG RADIUS ...WOLR90</p>	1"	\$9.75
	1-1/4"	9.75
	1-1/2"	9.75
	2"	10.65
	2-1/2"	15.48
	3"	20.49
	4"	36.33
	5"	70.65
6"	85.05	

STYLE	SIZE	PRICE
 <p>TEE's ...WOT</p>	1"	\$23.10
	1-1/4"	23.10
	1-1/2"	23.10
	2"	23.10
	2-1/2"	33.99
	3"	51.30
	4"	71.97
	5"	105.03
6"	134.64	

 <p>SHORT RADIUS ...WOSR90</p>	1"	\$10.92
	1-1/4"	10.92
	1-1/2"	10.92
	2"	16.98
	2-1/2"	18.18
	3"	28.80
	4"	43.89
	5"	95.10
6"	105.45	

 <p>CAP's ...WOC</p>	1"	\$15.90
	1-1/4"	9.60
	1-1/2"	9.60
	2"	9.60
	2-1/2"	10.47
	3"	13.71
	4"	18.00
	5"	24.99
6"	39.99	

 <p>ELL's 45° ...WOLR45</p>	1"	\$7.26
	1-1/4"	7.26
	1-1/2"	7.26
	2"	7.26
	2-1/2"	9.96
	3"	12.90
	4"	27.90
	5"	42.30
	6"	51.24
	----	----
	----	----

 <p>CONCENTRIC REDUCERS ...WOCR</p>	1-1/2" x 1-1/4"	\$19.83
	2" x 1-1/2"	12.60
	2" x 1-1/4"	12.60
	2" x 1"	15.60
	2-1/2" x 2"	19.95
	2-1/2" x 1-1/2"	21.51
	3" x 2-1/2"	13.08
	3" x 2"	17.31
	3" x 1-1/2"	17.46
	4" x 3"	21.60
	4" x 2-1/2"	23.10
4" x 2"	23.10	

SIZE	PIPE O.D.	A	B	C	D	E	H
1"	1.315	1-1/2"	7/8"	1-1/2"	1"	1-1/2"	2"
1-1/4"	1.660	1-7/8"	1"	1-7/8"	1-1/4"	1-1/2"	2"
1-1/2"	1.900	2-1/4"	1-1/8"	2-1/4"	1-1/2"	1-1/2"	2-1/2"
2"	2.375	3"	1-3/8"	2-1/2"	2"	1-1/2"	3"
2-1/2"	2.875	3-3/4"	1-3/4"	3"	2-1/2"	1-1/2"	3-1/2"
3"	3.500	4-1/2"	2"	3-3/8"	3"	2"	3-1/2"
4"	4.500	6"	2-1/2"	4-1/8"	4"	2-1/2"	4"
5"	5.583	7-1/2"	3-1/8"	4-7/8"	5"	3"	5"
6"	6.625	9"	3-3/4"	5-5/8"	6"	3-1/2"	5-1/2"